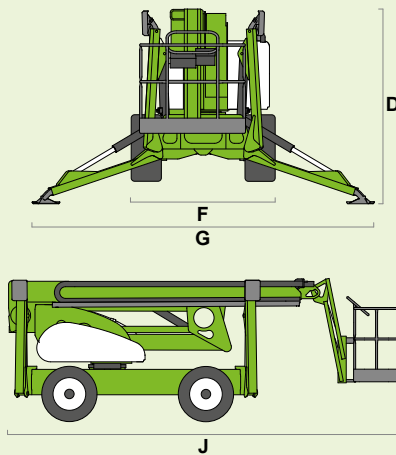
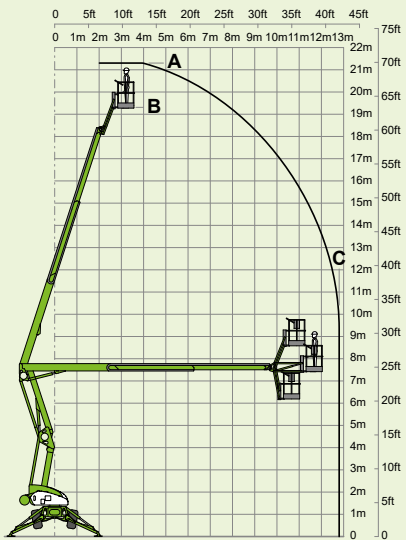


# niftylift

**SD64 4x4x4**



(A) 70ft



(B) 63ft 6in



(C) 42ft



500lbs



5ft 11in x 2ft 9in



150°



100°



(D) 7ft 5in



(F) 6ft 9in



(G) 13ft 9in



(J) 20ft 2in



5.6mph



11ft 6in



45%  
24°



9170lbs



18%  
10°



**niftylift**  
1525 S. Buncombe Road,  
Greer, SC - 29651  
United States  
1-800-643-8954  
usasales@niftylift.com  
www.niftylift.com

 ISO 9001 QUALITY MANAGEMENT	 ISO 14001 ENVIRONMENTAL MANAGEMENT	 ISO 45001 HEALTH & SAFETY MANAGEMENT
---	--	--



IS-106